



STEEL WALL GEARBOX CABINET

Assembly Instructions

ARMARIO DE PARED DE ACERO PARA HERRAMIENTAS

Instrucciones de ensamblaje

ARMOIRE À OUTILS MURALE EN ACIER

Instructions d'assemblage

TABLE OF CONTENTS/ÍNDICE/TABLE DES MATIÈRES

CABINET/LOCKER SAFETY	2	SEGURIDAD DEL ARMARIO	7	SÉCURITÉ DE L'ARMOIRE	12
PARTS	2	PIEZAS	7	PIÈCES	12
ASSEMBLY INSTRUCTIONS	3	INSTRUCCIONES DE ENSAMBLAJE	8	INSTRUCTIONS D'ASSEMBLAGE	13
Cabinet Use Requirements.....	3	Requisitos de uso del armario	8	Spécifications d'utilisation de l'armoire	13
Unpack Cabinet Parts.....	3	Desempaque las piezas del armario	8	Déballage des composants de l'armoire ..	13
Assemble Cabinet.....	3	Ensamble el armario	8	Assemblage de l'armoire.....	13
Attach Back Panels.....	3	Fije los paneles posteriores.....	8	Fixation des panneaux arrière	13
Install Shelves	4	Instalación de los estantes	9	Installation des étagères.....	14
Install Doors	4	Instalación de las puertas.....	9	Installation des portes	14
INSTALLATION INSTRUCTIONS	5	INSTRUCCIONES DE INSTALACIÓN	10	INSTRUCTIONS D'INSTALLATION	15
Install Cabinet to GearWall® Panels		Instale el armario a los paneles		Installation de l'armoire sur des panneaux	
or GearTrack™ Channels	5	GearWall® o a los canales GearTrack™ ...	10	GearWall® ou des profilés GearTrack™	15
Standard Wall Mount	5	Montaje de pared estándar	10	Montage mural standard	15
WARRANTY	6	GARANTÍA	11	GARANTIE	16

IT'S TIME TO RETHINK THE GARAGE.™
 ES TIEMPO DE VOLVER A PENSAR EN EL GARAGE.™
 LE GARAGE REPENSÉ.™

CABINET/LOCKER SAFETY

Your safety and the safety of others are very important.

We have provided many important safety messages in this manual and on your appliance. Always read and obey all safety messages.



This is the safety alert symbol.

This symbol alerts you to potential hazards that can kill or hurt you and others.

All safety messages will follow the safety alert symbol and either the word "DANGER" or "WARNING."

These words mean:

⚠ DANGER

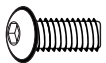
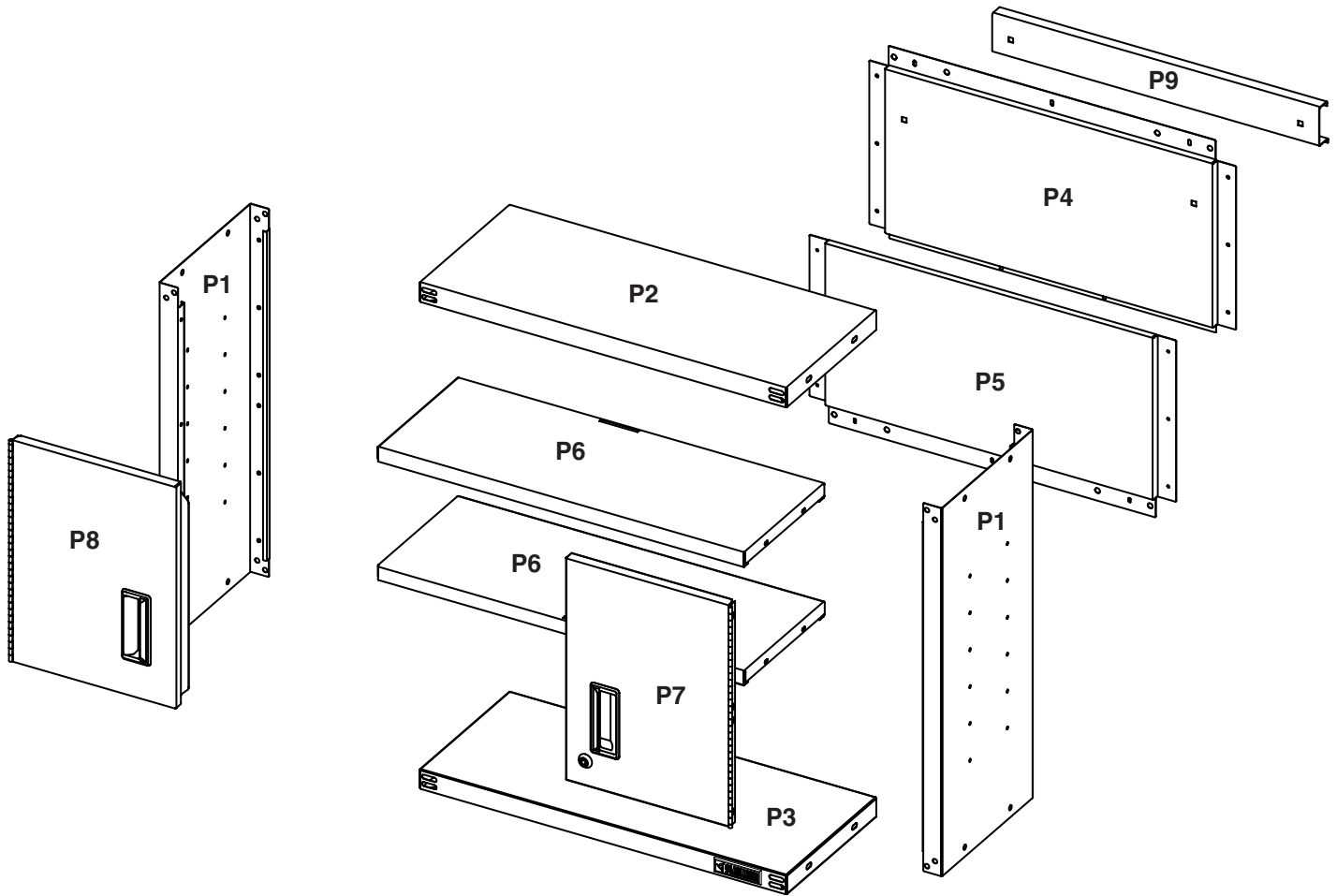
You can be killed or seriously injured if you don't immediately follow instructions.

⚠ WARNING

You can be killed or seriously injured if you don't follow instructions.

All safety messages will tell you what the potential hazard is, tell you how to reduce the chance of injury, and tell you what can happen if the instructions are not followed.

PARTS



F1



F2



F3b



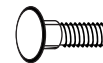
F4



F5



F6



F7



F8

ASSEMBLY INSTRUCTIONS

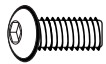
Cabinet Use Requirements

- Intended for use in a garage.
- Maximum weight limit is 40 lbs (18 kg) for each shelf.
- Maximum weight limit is 150 lbs (68 kg) for the cabinet.

Unpack Cabinet Parts

1. Remove and verify the contents. Contents include an Allen wrench, a key, and the parts and fasteners shown in "Parts."
2. Dispose of/recycle all packaging materials.

Assemble Cabinet



F1



F2

F1 5/16" Allen-head bolt (24)

F2 5/16" Flange nut (24)

Gather the required tools before starting installation.

Tools Needed:

- 1/2" Wrench
- 3/8" Wrench
- 1 1/32" Wrench
- Phillips screwdriver
- Pliers

Tools Supplied:

- Allen wrench
- Key

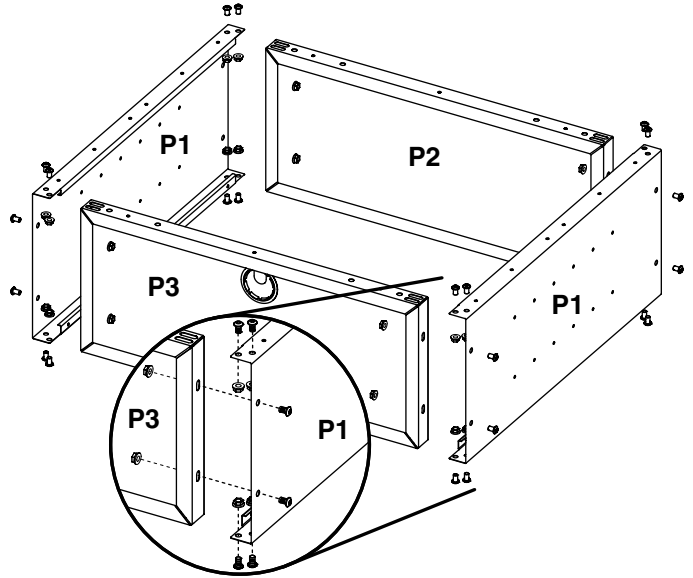
IMPORTANT:

- Two people may be required to complete the assembly.
 - As you assemble the cabinet, make sure the edges with the holes are facing up.
1. Place side panel (P1) on a flat, firm surface so that the edge with the holes is facing up as shown.
 2. Insert the cabinet top (P2) between the edges of side panel (P1).
NOTE: Make sure the edges with the holes are facing up.
 3. Align the holes and attach the top (P2) to side panel (P1) using six Allen-head bolts (F1) and 5/16" flange nuts (F2) as shown. Do not tighten completely.
 4. Position the other side panel (P1) so that the cabinet top (P2) is between the edges of the side panel (P1).
 5. Align the holes and attach the top (P2) to the side panel (P1) using six Allen-head bolts (F1) and 5/16" flange nuts (F2) as shown. Do not tighten completely.
 6. Insert the cabinet bottom (P3), smooth side to the cabinet interior, between the edges of the side panels (P1).

NOTES:

- Make sure the edges with the holes are facing up so the Gladiator® name plate is to the front and the access for electrical cords is to the back of the cabinet.
- To access the opening, remove the center of the plastic grommet, insert electrical cords and snap the center back into place.

7. Align the holes and attach the bottom (P3) to the side panels (P1) using six Allen-head bolts (F1) and 5/16" flange nuts (F2) for each side as shown. Do not tighten completely.



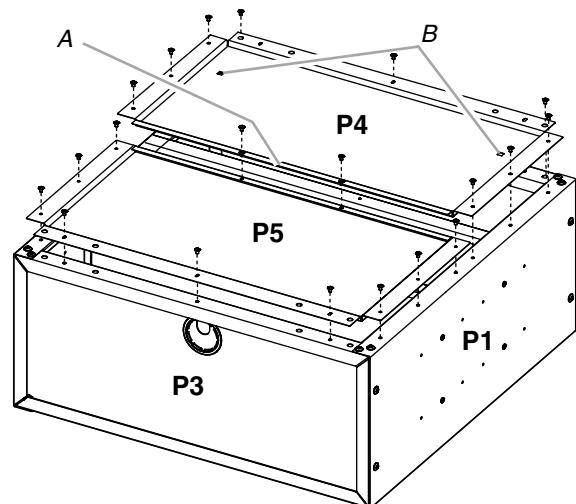
Attach Back Panels



F3b

F3b Phillips-head screw (20)

1. Using nine Phillips-head screws (F3b), attach the lower back panel (P5) to the bottom (P3) and sides (P1) as shown. Do not tighten screws completely.
2. Align the upper back panel (P4) with the holes in the top (P2). Using nine Phillips-head screws (F3b), attach the upper back panel to the top (P-2) and sides (P-1) as shown. Do not tighten screws completely.
NOTE: The upper back panel will slightly overlap the lower back panel.
3. Using two Phillips-head screws (F3b), attach the upper back panel (P4) to the lower back panel (P5) as shown.



A. Upper panel overlaps lower panel
B. Holes to install mounting bracket

4. Completely tighten all back panel screws starting with the sides and continuing with the top, middle and bottom.
5. Using the Allen wrench (provided), completely tighten all the cabinet bolts and nuts.

Install Shelves



F3b

F3b Phillips-head screw (8)
F4 Small flange nut (8)



F4



F5

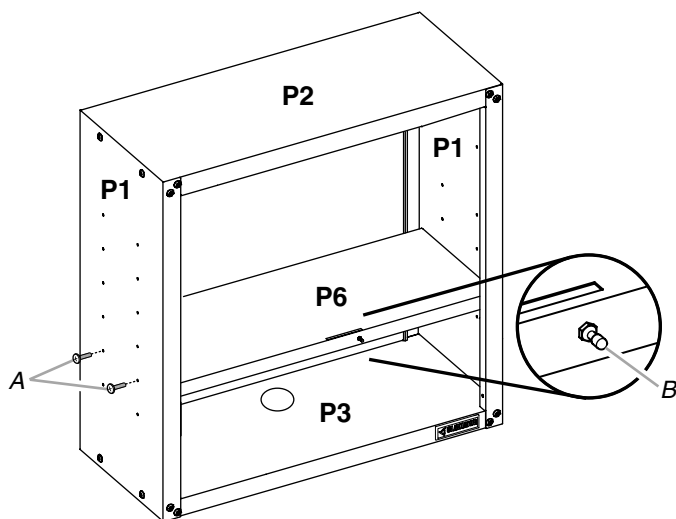
F5 Door catch pin (1)
F6 Star nut (1)



F6

IMPORTANT: Install the lower shelf, using the second set of holes from the bottom, so the doors will close and lock. The other shelf may be installed where desired.

1. Align the holes in the ends of the lower shelf (P6) with the holes in the cabinet side (P1) that are second from the bottom.
NOTE: Make sure the hole in the center of the long edge is facing out.
2. Using two Phillips-head screws (F3b) and two small flange nuts (F4) per side, attach the shelf (P6) to the sides (P1).
3. Insert the door catch pin (F5) into the hole in the front edge of the lower shelf and fasten it with the star nut (F6) as shown.



A. Second set of holes from the bottom
B. Door catch pin and star nut

4. Determine where you want to place the upper shelf (P6) and align the holes in the ends of the shelf with the holes in the sides.
NOTE: Make sure the hole in the center of the long edge is facing the back panel.
5. Using two Phillips-head screws (F3b) and two small flange nuts (F4) per side, attach the shelf to the sides (P1).
6. Completely tighten the screws.

Install Doors



F3

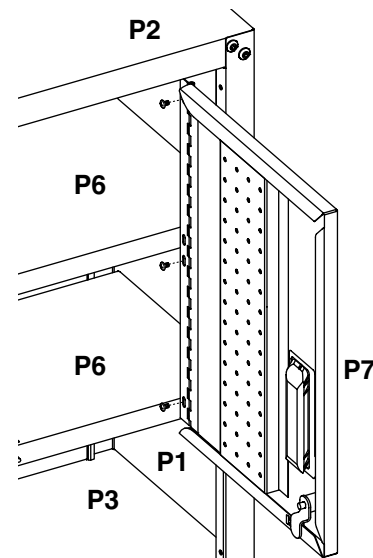
F3b Phillips-head screw (6)

IMPORTANT: The door with the lock assembly should be installed on the right-hand side of the cabinet.

1. Align three holes in the right-hand door hinge (P7) with the three holes in the right-hand side.

NOTE: There are two holes in the middle of the door hinge. Align the top and bottom holes first. Only one of the middle holes will align.

2. Using three Phillips screws (F3b), starting with the top hole, attach the door (P7) to the side (P1) as shown. Do not tighten completely.



3. Repeat Steps 1 and 2 to attach the left-hand door (P8).
4. Align the doors and completely tighten the screws.

INSTALLATION INSTRUCTIONS

⚠ WARNING

Excessive Weight Hazard

Use two or more people to move, assemble or install cabinet or locker.

Failure to do so can result in back or other injury.

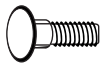
IMPORTANT: Decide if you are going to mount the cabinet on Gladiator® GearWall® panels or GearTrack™ channels, or on a standard wall.

Install Cabinet to GearWall® Panels or GearTrack™ Channels

IMPORTANT:

- Be sure the GearWall® panels or GearTrack™ channels are installed with mounting screws in every slot and at every stud location with a maximum of 24" (60.96 cm) horizontally between screws.
- If installing cabinet on GearTrack™ channel, a second channel should be installed 18" below the bottom of the supporting channel so the cabinet will hang level.

Attach Mounting Bracket



F7

F7 Carriage-head bolt (2)
F8 Washer (2)



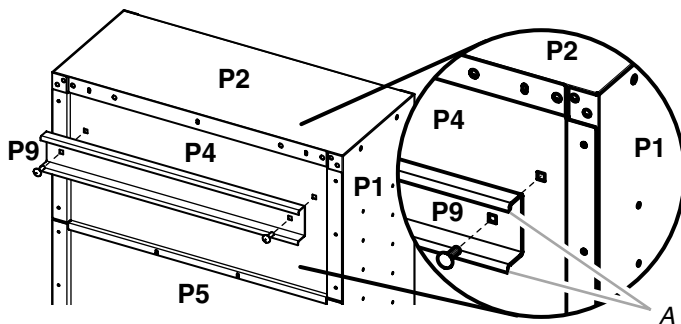
F8



F2

F2 5/16" Flange nut (2)

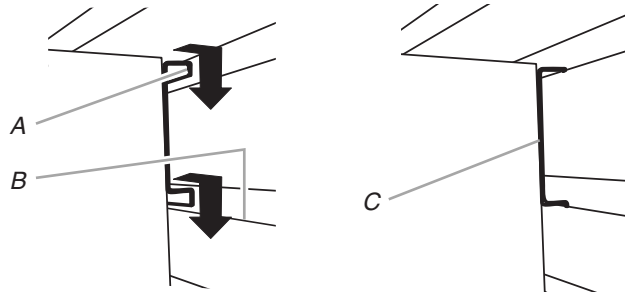
- With the mounting bracket (P9) rims pointing down, align the two bracket holes with the two holes in the top back panel (P4).
- Working from the back, insert a carriage bolt (F7) through the bracket and top back panel (P4).
- Working from the cabinet interior, fasten each bolt with a washer (F8) and a flange nut (F2). Fully tighten the bolts.
- Close the cabinet doors.



A. Bracket rims pointing down

Mount on GearWall® Panels or GearTrack™ Channels

- Determine cabinet mounting location on GearWall® panels or GearTrack™ channels.
- Using two or more people, engage the mounting bracket into the wall slots by lifting up, pushing toward the wall and lowering the bracket rims into the slots.
- Inspect the cabinet from the sides to ensure the wall-mounting bracket is fully engaged slots as shown.



A. Bracket rim
B. Slot

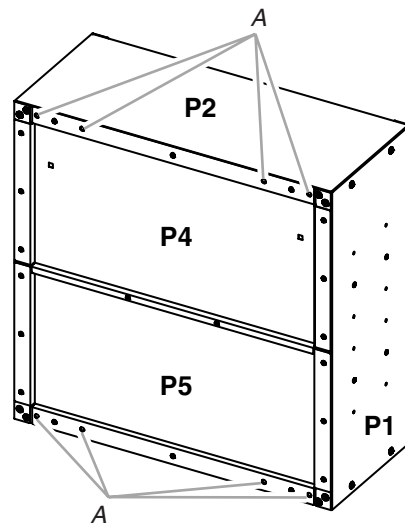
C. Mounting bracket
fully engaged

Standard Wall Mount

Tools and Parts Needed: 1/2" Wrench, 5/16" x 1 1/2" Lag screws (4), 5/16" Flat washers (4)

IMPORTANT: The round holes in the top and bottom cabinet back panels are spaced to allow you to mount the wall cabinet to your garage wall studs.

- Locate the wood studs in your garage wall. Align two holes at the top and two holes at the bottom with the wood studs, and mark the location of the holes.
- While two or more people hold the cabinet against the wall, attach the wall cabinet to the garage wall using 5/16" flat washers and 5/16" x 1 1/2" Lag screws (not provided).
- Using a 1/2" wrench, fully tighten the screws.



A. Holes for standard wall mounting

GLADIATOR® GARAGEWORKS STEEL WALL GEARBOX CABINET WARRANTY

TEN YEAR LIMITED WARRANTY

For ten years from the date of purchase, when the Steel Wall GearBox Cabinet is used and maintained according to the instructions attached to or furnished with the product, Gladiator® GarageWorks will pay for replacement or repair of the defective product or parts to correct defects in materials or workmanship.

Gladiator® GarageWorks will not pay for:

1. Service calls to correct the installation of any Gladiator® GarageWorks products or to instruct you on how to use or install them.
 2. Damage resulting from improper handling or shipping of products, or products damaged by accident, misuse, abuse, fire, flood, improper installation, acts of God, neglect, corrosion, modification or mishandling.
 3. Shipping or freight fees to deliver replacement products or to return defective products.
 4. Repairs or replacement when your product is used in other than normal, single-family household use, such as a commercial environment or handled in any way inconsistent with the installation instructions included with the product.
 5. Cosmetic damage including scratches, dings, dents or cracks that do not affect the structural or functional capability of the product.
 6. Replacement parts or product for Gladiator® GarageWorks products operated outside the United States or Canada.
 7. In Canada, travel or transportation expenses for customers who reside in remote areas.
 8. Any labor costs during the limited warranty period.
 9. Damage resulting from improper loading beyond the specified maximum weight capacity outlined in the assembly instructions provided with the product, including overloading of hooks, baskets, shelves, cabinets, and other Gladiator® GarageWorks accessories used with the product.
 10. Damage resulting from use of hooks, shelves, baskets and other accessories not distributed or endorsed by Gladiator® GarageWorks.
 11. Surfaces damaged due to chemical interaction resulting in corrosion of paint or metal.
 12. Replacement keys or locking mechanism.
 13. Loss of product contents due to theft, fire, flood, accident or acts of God.
-

DISCLAIMER OF IMPLIED WARRANTIES; LIMITATION OF REMEDIES

IMPLIED WARRANTIES, INCLUDING TO THE EXTENT APPLICABLE WARRANTIES OF MERCHANTABILITY OR FITNESS FOR A PARTICULAR PURPOSE, ARE EXCLUDED TO THE EXTENT LEGALLY PERMISSIBLE. ANY IMPLIED WARRANTIES THAT MAY BE IMPOSED BY LAW ARE LIMITED TO ONE YEAR, OR THE SHORTEST PERIOD ALLOWED BY LAW. SOME STATES AND PROVINCES DO NOT ALLOW LIMITATIONS OR EXCLUSIONS ON HOW LONG AN IMPLIED WARRANTY OF MERCHANTABILITY OR FITNESS LASTS, SO THE ABOVE LIMITATIONS OR EXCLUSIONS MAY NOT APPLY TO YOU. THIS WARRANTY GIVES YOU SPECIFIC LEGAL RIGHTS, AND YOU MAY ALSO HAVE OTHER RIGHTS WHICH VARY FROM STATE TO STATE OR PROVINCE TO PROVINCE.

Outside the 50 United States and Canada, this warranty does not apply. Contact your authorized Gladiator® GarageWorks dealer to determine if another warranty applies.

If you need service, call the Gladiator® GarageWorks Customer eXperience Center, **1-866-342-4089** (toll-free), from anywhere in the U.S.A. In Canada, contact your Whirlpool Canada LP designated service company or call **1-800-807-6777**.

In the United States, Gladiator® GarageWorks means Whirlpool Corporation, Benton Harbor, Michigan 49022. In Canada, Gladiator® GarageWorks means Whirlpool Canada LP, Mississauga, ON L5N 3A7.

11/05

Keep this book and your sales slip together for future reference. You must provide proof of purchase or installation date for in-warranty service.

Write down the following information about your Wall GearBox Cabinet to better help you obtain assistance or service if you ever need it. You will need to know your complete model number and serial number. You can find this information on the model and serial label located on the inside of the product.

Dealer name _____
Address _____
Phone number _____
Model number _____
Serial number _____
Purchase date _____

SEGURIDAD DEL ARMARIO

Su seguridad y la seguridad de los demás es muy importante.

Hemos incluido muchos mensajes importantes de seguridad en este manual y en su electrodoméstico. Lea y obedezca siempre todos los mensajes de seguridad.



Este es el símbolo de advertencia de seguridad.

Este símbolo le llama la atención sobre peligros potenciales que pueden ocasionar la muerte o una lesión a usted y a los demás.

Todos los mensajes de seguridad irán a continuación del símbolo de advertencia de seguridad y de la palabra "PELIGRO" o "ADVERTENCIA". Estas palabras significan:

⚠ PELIGRO

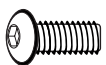
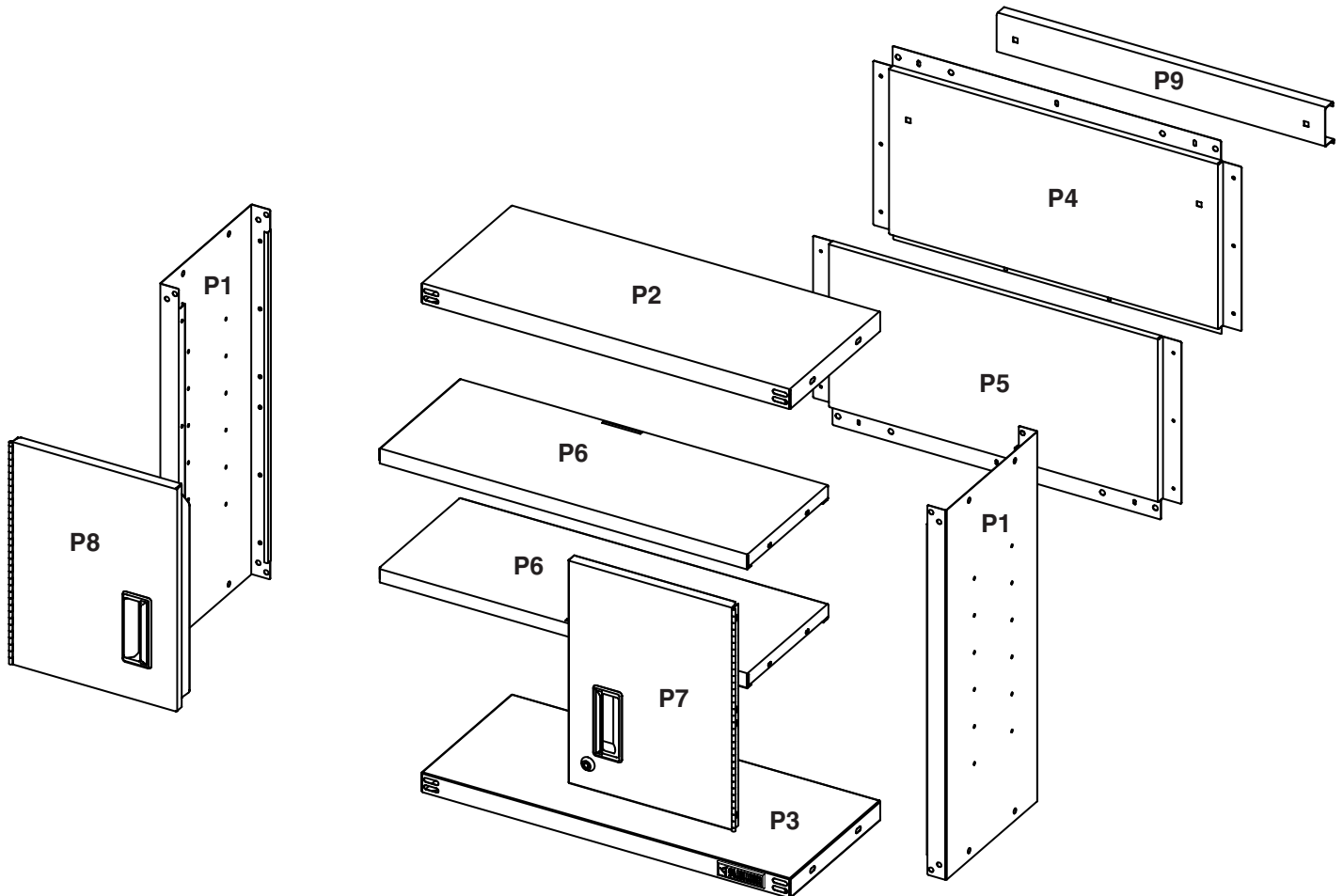
Si no sigue las instrucciones de inmediato, usted puede morir o sufrir una lesión grave.

⚠ ADVERTENCIA

Si no sigue las instrucciones, usted puede morir o sufrir una lesión grave.

Todos los mensajes de seguridad le dirán el peligro potencial, le dirán cómo reducir las posibilidades de sufrir una lesión y lo que puede suceder si no se siguen las instrucciones.

PIEZAS



F1



F2



F3b



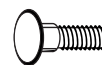
F4



F5



F6



F7



F8

INSTRUCCIONES DE ENSAMBLAJE

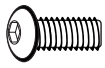
Requisitos de uso del armario

- Diseñado para usarse en un garage.
- El límite de peso máximo es de 40 lbs (18 kg) para cada estante.
- El límite de peso máximo es de 150 lbs (68 kg) para el armario.

Desempaque las piezas del armario

1. Quite y verifique el contenido. Se incluye una llave Allen, una llave y las piezas y sujetadores que se muestran en "Piezas".
2. Deshágase de todos los materiales de embalaje o reciclelos.

Ensamble el armario



F1



F2

F1 Perno Allen de 5/16" (24)

F2 Tuerca de reborde de 5/16" (24)

Reúna las herramientas necesarias antes de comenzar la instalación.

Herramientas necesarias:

- Llave de tuercas de 1/2"
- Destornillador Phillips
- Llave de tuercas de 3/8"
- Alicates
- Llave de tuercas de 11/32"

Herramientas suministradas:

- Llave Allen
- Llave

IMPORTANTE:

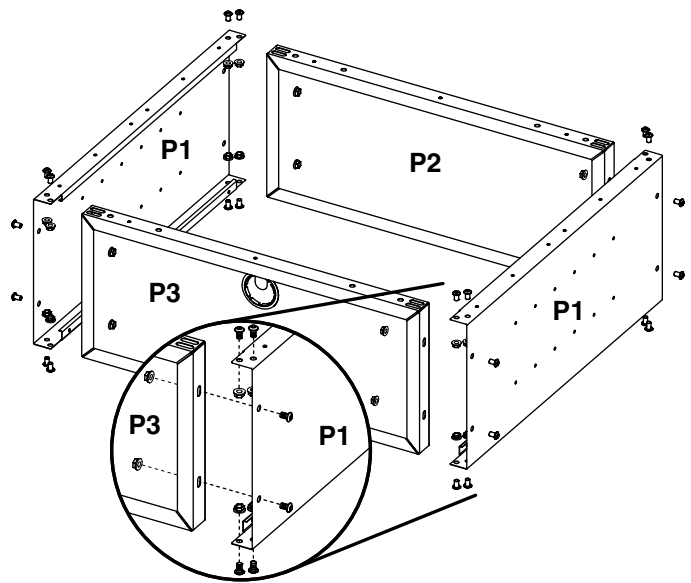
- Tal vez se necesiten dos personas para completar el ensamble.
- A medida que ensambla el armario, asegúrese de que los bordes con orificios estén mirando hacia arriba.

1. Coloque el panel lateral del armario (P1) sobre una superficie plana y firme de manera que el extremo con orificios quede mirando hacia arriba.
2. Inserte la parte superior del armario (P2) entre los extremos del panel lateral (P1).
NOTA: Asegúrese de que los bordes con orificios estén mirando hacia arriba.
3. Alinee los orificios y sujete la parte superior (P2) a la lateral (P1) con seis pernos Allen (F1) y tuercas de reborde de 5/16" (F2), como se muestra. No los apriete completamente.
4. Coloque el otro panel lateral (P1) de manera que la parte superior del armario (P2) quede entre los extremos del panel lateral (P1).
5. Alinee los orificios y sujete la parte superior (P2) al panel lateral (P1) con seis pernos Allen (F1) y tuercas de reborde de 5/16" (F2), como se muestra. No los apriete completamente.
6. Inserte la parte inferior del armario (P3), con el lado liso hacia el interior del mismo, entre los extremos de los paneles laterales (P1).

NOTAS:

- Asegúrese de que los bordes con orificios miren hacia arriba para que la placa con el nombre Gladiator® esté adelante y el acceso al cable eléctrico esté en la parte posterior del armario.
- Para obtener acceso a la abertura, quite el centro del ojal de plástico, inserte los cables eléctricos y encaje nuevamente el centro en su lugar.

7. Alinee los orificios y sujete la parte inferior (P3) a los paneles laterales (P1) con seis pernos Allen (F1) y tuercas de reborde (F2) de 5/16" para cada lado, como se muestra. No los apriete completamente.



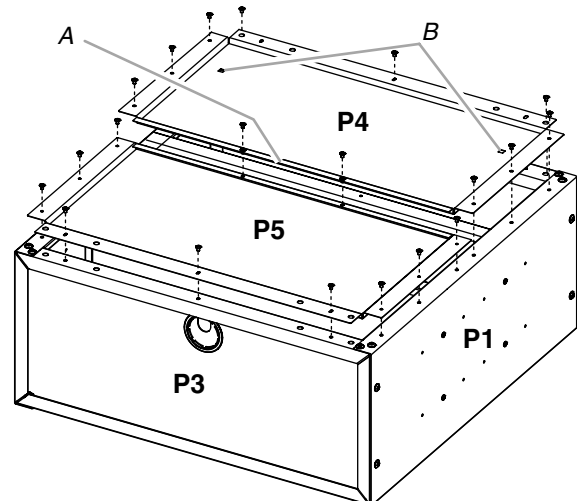
Fije los paneles posteriores



F3b

F3b Tornillo Phillips (20)

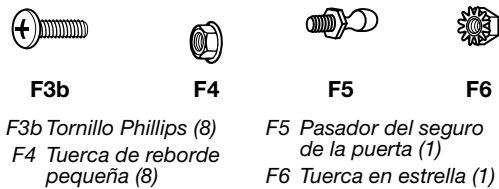
1. Sujete el panel posterior inferior (P5) a la parte inferior (P3) y a los lados (P1) usando nueve tornillos Phillips (F3b), como se muestra. No atornille completamente los tornillos.
2. Alinee el panel superior posterior (P4) con los orificios en la parte superior (P2). Sujete el panel posterior superior a la parte superior (P2) y a los lados (P1) usando nueve tornillos Phillips (F3b), como se muestra. No atornille completamente los tornillos.
NOTA: El panel superior posterior estará ligeramente superpuesto al panel inferior posterior.
3. Sujete el panel posterior superior (P4) al panel posterior inferior (P5) usando dos tornillos Phillips (F3b), como se muestra.



A. El panel superior está superpuesto con el panel inferior
B. Orificios para instalar el soporte de montaje

4. Apriete por completo todos los tornillos del panel posterior, comenzando por los lados y siguiendo por la parte inferior y superior.
5. Apriete por completo todos los pernos y tuercas del armario con la llave Allen (provista).

Instalación de los estantes

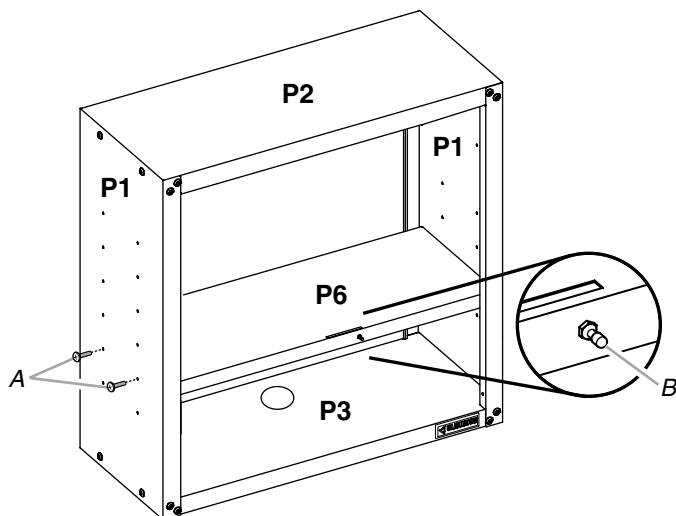


IMPORTANTE: Instale el estante inferior usando el segundo juego de orificios desde la parte inferior, de manera que las puertas se cierren y se traben. El otro estante puede instalarse donde se desee.

1. Alinee los orificios en los extremos del estante inferior (P6) con los orificios en el lado del armario (P1) que están segundos contando desde la parte inferior.

NOTA: Asegúrese de que el orificio que está en el centro del extremo largo quede mirando hacia afuera.

2. Fije el estante (P6) a los lados (P1) con dos tornillos Phillips (F3b) y dos tuercas de reborde pequeñas (F4).
3. Inserte el pasador del seguro de la puerta (F5) en el orificio que está en el borde frontal del estante inferior y sujételo con la tuerca en estrella (F6), como se muestra.



A. Segundo juego de orificios contando desde abajo
B. Pasador del seguro de la puerta y tuerca en estrella

4. Fíjese dónde desea colocar el estante superior (P6) y alinee los orificios en los extremos del estante con los orificios en los lados.

NOTA: Asegúrese de que el orificio que está en el centro del extremo largo quede mirando hacia el panel posterior.

5. Fije el estante a los lados (P1) con dos tornillos Philips (F3b) y dos tuercas de reborde pequeñas (F4) por lado.
6. Apriete por completo los tornillos.

Instalación de las puertas



F3

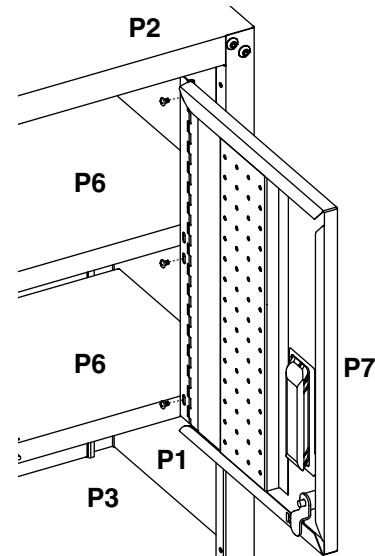
F3b Tornillo Phillips (6)

IMPORTANTE: La puerta que tiene el ensamblaje de traba deberá instalarse en el lado derecho del armario.

1. Alinee los tres orificios que están en la bisagra del lado derecho de la puerta (P7) con los tres orificios que están en el lado derecho.

NOTA: Hay dos orificios en el medio de la bisagra de la puerta. Alinee primero los orificios superiores e inferiores. Solamente se alineará uno de los orificios del medio.

2. Fije la puerta (P7) al lado (P1) usando tres tornillos Phillips (F3b), comenzando con el orificio del centro, como se muestra. No los apriete completamente.



3. Repita los pasos 1 y 2 para fijar la puerta izquierda (P8).
4. Alinee las puertas y apriete los tornillos por completo.

INSTRUCCIONES DE INSTALACIÓN

⚠️ ADVERTENCIA

Peligro de Peso Excesivo

Use dos o más personas para mover, ensamblar o instalar el armario.

No seguir esta instrucción puede ocasionar una lesión en la espalda u otro tipo de lesiones.

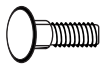
IMPORTANTE: Decida si va a instalar el armario sobre los paneles Gladiator® GearWall®, los canales GearTrack™ o sobre una pared estándar.

Instale el armario a los paneles GearWall® o a los canales GearTrack™

IMPORTANTE:

- Asegúrese de que los paneles GearWall® o los canales GearTrack™ estén instalados con tornillos de montaje en cada ranura y en cada ubicación de los pies derechos, con un máximo de 24" (60,96 cm) horizontalmente entre los tornillos.
- Si va a instalar el armario con el canal GearTrack™, deberá instalarse un segundo canal 18" por debajo de la parte inferior del canal de soporte de manera que el armario cuelgue nivelado.

Fije el soporte de montaje



F7

F7 Perno de carruaje (2)



F8

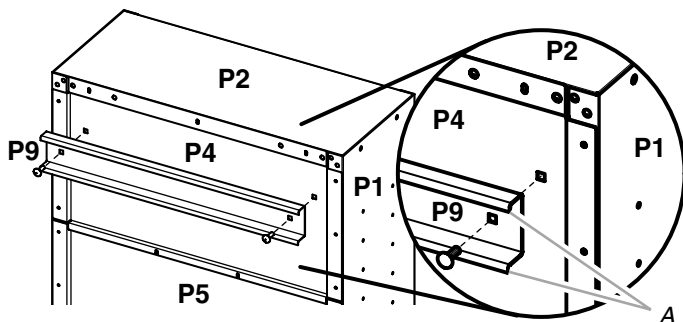
F8 Arandela (2)



F2

F2 Tuerca de reborde de 5/16" (2)

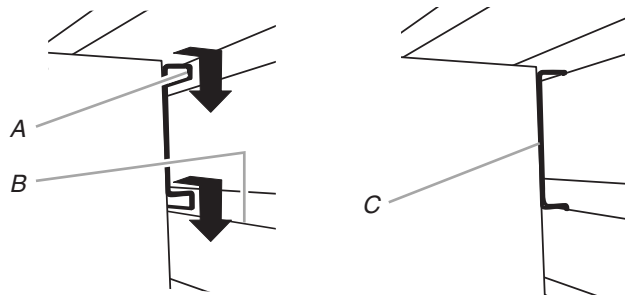
1. Con los rebordes del soporte de montaje (P9) apuntando hacia abajo, alinee los dos orificios del soporte con los dos orificios del panel superior posterior (P4).
2. Trabajando desde la parte posterior, inserte un perno de carruaje (F7) a través del soporte y de la parte superior del panel posterior (P4).
3. Trabajando desde el interior del armario, ajuste cada perno con una arandela (F8) y una tuerca de reborde (F2). Ajuste firmemente los pernos.
4. Cierre las puertas del armario.



A. Bordes del soporte apuntando hacia abajo

Instalación sobre los paneles GearWall® o los canales GearTrack™

1. Determine la ubicación para el montaje del gabinete en los paneles GearWall® o en los canales GearTrack™.
2. Con la ayuda de dos o más personas, acople el soporte de montaje en las ranuras de la pared levantando y empujando hacia la pared y bajando los bordes de montaje dentro de las ranuras.
3. Inspeccione el armario de ambos lados para asegurarse de que el soporte de montaje de la pared esté acoplado completamente en las ranuras como se muestra.



A. Borde del soporte
B. Ranura

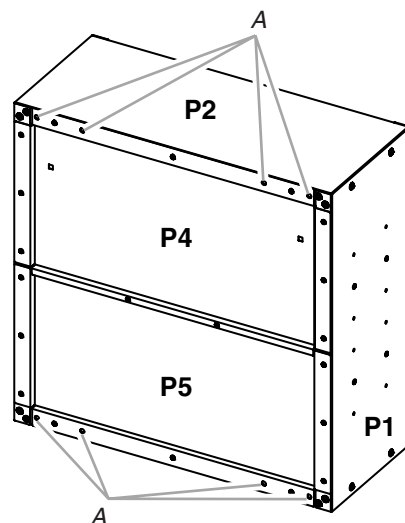
C. Soporte de montaje acoplado completamente

Montaje de pared estándar

Piezas y herramientas necesarias: Llave de 1/2", tirafondos de 5/16" x 1 1/2" (4), arandelas planas de 5/16" (4)

IMPORTANTE: Los orificios redondos que están en los paneles posteriores superior e inferior del armario están espaciados para montar el armario de pared a los pies derechos de la pared de su garage.

1. Ubique los pies derechos de madera en la pared de su garage. Alinee dos orificios de arriba y dos orificios de abajo con los pies derechos de madera y marque la ubicación de los orificios.
2. Mientras dos o más personas sostienen el armario contra la pared, sujete el armario de la pared a la pared del garage usando arandelas planas de 5/16" y tirafondos de 5/16" x 1 1/2" (no provistos).
3. Apriete los tornillos completamente con una llave de 1/2".



A. Orificios para el montaje de la pared estándar

GARANTÍA DEL ARMARIO DE PARED DE ACERO PARA HERRAMIENTAS DE GLADIATOR® GARAGEWORKS

GARANTÍA LIMITADA DE DIEZ AÑOS

Durante diez años a partir de la fecha de compra, siempre y cuando se le dé al armario de pared de acero para herramientas un uso y mantenimiento de conformidad con las instrucciones adjuntas o provistas con el producto, Gladiator® GarageWorks pagará por el reemplazo o la reparación del producto o las piezas defectuosos para corregir defectos en los materiales o en la mano de obra.

Gladiator® GarageWorks no pagará por:

1. Visitas de servicio técnico para corregir la instalación de cualquier producto de Gladiator® GarageWorks o para enseñarle a usarlo o instalarlo.
2. Daños causados por mal manejo o envío de productos, o productos dañados por accidente, uso indebido, abuso, incendio, inundación, instalación incorrecta, actos fortuitos, negligencia, corrosión, modificación o maltrato.
3. Costo de envío o flete para entregar productos de repuesto o para devolver productos defectuosos.
4. Reparaciones o reemplazo cuando su producto ha sido empleado para fines ajenos al uso doméstico normal en la casa de una familia, tal como uso en un lugar comercial o se haya tratado de alguna manera en contra de las instrucciones de instalación incluidas con el producto.
5. Daños estéticos incluyendo rayaduras, golpes, abolladuras o rajaduras que no afecten la capacidad estructural o de funcionamiento del producto.
6. Piezas o productos de repuesto de productos Gladiator® GarageWorks que se empleen fuera de los Estados Unidos o Canadá.
7. En Canadá, gastos de viaje o de transporte para clientes que residen en zonas distantes.
8. Cualquier gasto de mano de obra durante el período de la garantía limitada.
9. Daños causados por la carga indebida que exceda del peso máximo especificado que se detalla en las instrucciones de ensamblaje provistas con el producto, incluyendo la sobrecarga de ganchos, canastas, estantes, armarios y otros accesorios de Gladiator® GarageWorks usados con este producto.
10. Daños causados por el uso de ganchos, estantes, canastas y otros accesorios no distribuidos o aprobados por Gladiator® GarageWorks.
11. Superficies dañadas debido a la interacción química que dé como resultado la corrosión de pintura o de metal.
12. Mecanismo de traba o llaves de reemplazo.
13. Pérdida del contenido del producto debida a robo, incendio, inundación, accidente o actos fortuitos.

EXCLUSIÓN DE GARANTÍAS IMPLÍCITAS; LIMITACIÓN DE RECURSOS

LAS GARANTÍAS IMPLÍCITAS, INCLUYENDO EN LA MEDIDA QUE CORRESPONDA LAS GARANTÍAS DE COMERCIABILIDAD O DE CAPACIDAD PARA UN PROPÓSITO PARTICULAR, SON EXCLUIDAS EN LA MEDIDA EN QUE SEA LEGALMENTE PERMISIBLE. TODA GARANTÍA QUE SEA IMPUESTA POR LEY SERÁ LIMITADA A UN AÑO O AL PERÍODO MÁS CORTO PERMITIDO POR LEY. ALGUNOS ESTADOS Y PROVINCIAS NO PERMITEN LAS LIMITACIONES O EXCLUSIONES ACERCA DE CUÁNTO DEBE DURAR UNA GARANTÍA IMPLÍCITA DE COMERCIABILIDAD O CAPACIDAD, DE MODO QUE LAS LIMITACIONES O EXCLUSIONES ARRIBA MENCIONADAS PUEDEN NO APLICARSE EN SU CASO. ESTA GARANTÍA LE OTORGA DERECHOS LEGALES ESPECÍFICOS, Y ES POSIBLE QUE USTED TENGA TAMBIÉN OTROS DERECHOS, LOS CUALES VARÍAN DE UN ESTADO A OTRO O DE UNA PROVINCIA A OTRA.

Esta garantía no tiene vigor fuera de los cincuenta Estados Unidos y Canadá. Póngase en contacto con el distribuidor autorizado de Gladiator® GarageWorks para determinar si corresponde otra garantía.

Si necesita servicio llame al Centro para la eXperiencia del cliente de Gladiator® GarageWorks al **1-866-342-4089** (gratuito) desde cualquier lugar de los EE.UU. En Canadá, póngase en contacto con su compañía de servicio designada por Whirlpool Canada LP o llame al **1-800-807-6777**.

En los EE.UU., Gladiator® GarageWorks significa Whirlpool Corporation, Benton Harbor, Michigan 49022. En Canadá, Gladiator® GarageWorks significa Whirlpool Canada LP, Mississauga, ON L5N 3A7.

11/05

Guarde este libro y su comprobante de venta juntos para referencia futura. Usted deberá proporcionar evidencia de la compra o una fecha de instalación para obtener servicio bajo la garantía.

Escriba la siguiente información acerca del armario modular para herramientas para ayudarle mejor a obtener asistencia o servicio técnico si alguna vez llegara a necesitarlo. Deberá tener a mano el número completo del modelo y de la serie. Usted puede encontrar esta información en la etiqueta con el número de modelo y de serie que está ubicada en el interior del producto.

Nombre del distribuidor _____

Dirección _____

Número de teléfono _____

Número de modelo _____

Número de serie _____

Fecha de compra _____

SÉCURITÉ DE L'ARMOIRE

Votre sécurité et celle des autres est très importante.

Nous donnons de nombreux messages de sécurité importants dans ce manuel et sur votre appareil ménager. Assurez-vous de toujours lire tous les messages de sécurité et de vous y conformer.



Voici le symbole d'alerte de sécurité.

Ce symbole d'alerte de sécurité vous signale les dangers potentiels de décès et de blessures graves à vous et à d'autres.

Tous les messages de sécurité suivront le symbole d'alerte de sécurité et le mot "DANGER" ou "AVERTISSEMENT". Ces mots signifient :

⚠ DANGER

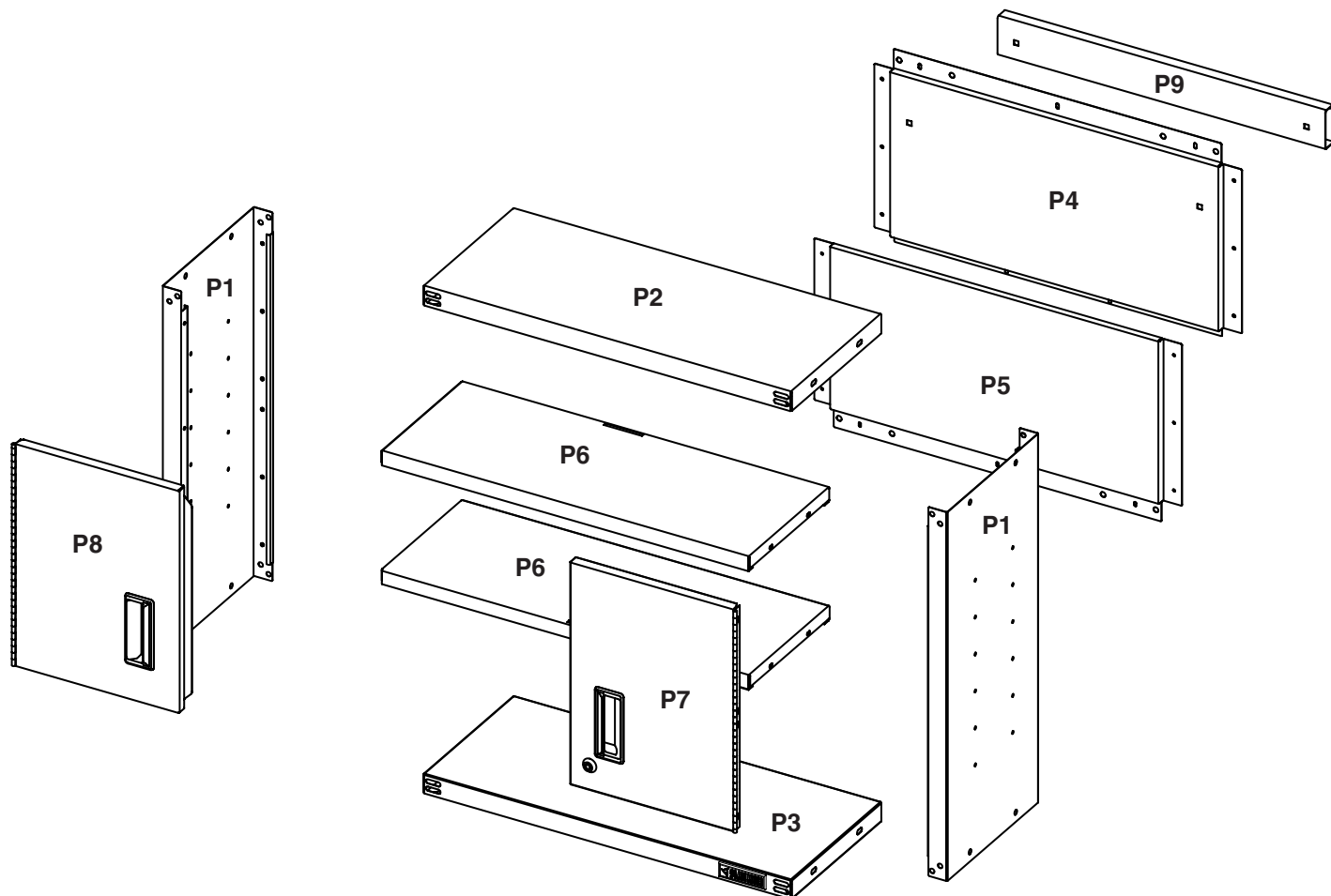
Risque possible de décès ou de blessure grave si vous ne suivez pas immédiatement les instructions.

⚠ AVERTISSEMENT

Risque possible de décès ou de blessure grave si vous ne suivez pas les instructions.

Tous les messages de sécurité vous diront quel est le danger potentiel et vous disent comment réduire le risque de blessure et ce qui peut se produire en cas de non-respect des instructions.

PIÈCES



F1



F2



F3b



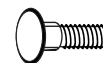
F4



F5



F6



F7



F8

INSTRUCTIONS D'ASSEMBLAGE

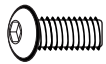
Spécifications d'utilisation de l'armoire

- Le produit est conçu pour l'utilisation dans un garage.
- Charge maximale de 40 lb (18 kg) par étagère.
- Charge maximale de 150 lb (68 kg) pour l'armoire.

Déballage des composants de l'armoire

1. Retirer le contenu; vérifier la présence de tous les composants. Le contenu inclut une clé Allen, une clé de serrure, ainsi que toutes les pièces et attaches illustrées dans la section "Pièces".
2. Jeter ou recycler tous les matériaux d'emballage.

Assemblage de l'armoire



F1



F2

F1 Vis Allen de 5/16" (24)

F2 Écrou à embase de 5/16" (24)

Rassembler les outils nécessaires avant de commencer l'installation.

Outillage nécessaire :

- Clé de 1/2"
- Clé de 3/8"
- Clé de 11/32"
- Tournevis Phillips
- Pince

Outils fournis :

- Clé Allen
- Clé de serrure

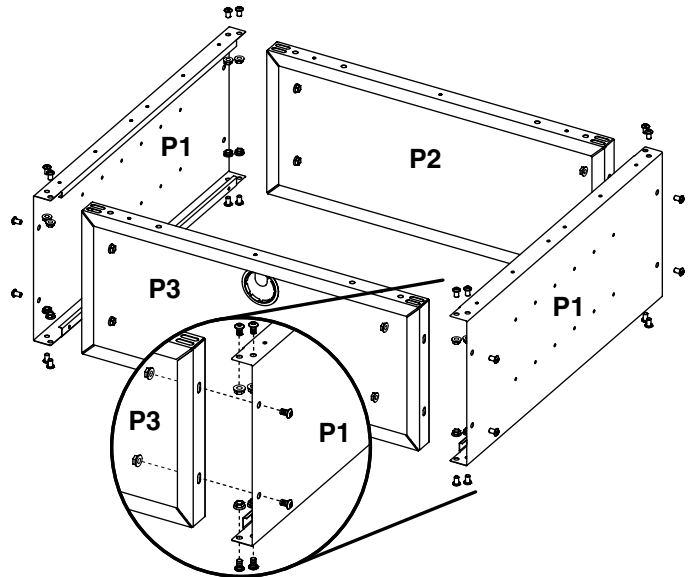
IMPORTANT :

- La participation de deux personnes peut être nécessaire pour l'assemblage.
 - Lors de l'assemblage de l'armoire, placer vers le haut les rives comportant les trous.
1. Placer un panneau latéral (P1) sur une surface ferme plane; la rive comportant des trous doit être orientée vers le haut.
 2. Insérer le panneau supérieur (P2) entre les rives du panneau latéral (P1).
REMARQUE : Les rives comportant des trous doivent être orientées vers le haut.
 3. Aligner les trous; connecter le panneau du sommet (P2) avec le panneau latéral (P1) - utiliser six vis Allen (F1) et des écrous à embase de 5/16" (F2) - voir l'illustration. Ne pas serrer complètement.
 4. Positionner l'autre panneau latéral (P1); ses rives doivent prendre prise sur le panneau du sommet (P2).
 5. Aligner les trous; connecter le panneau du sommet (P2) avec le panneau latéral (P1) - utiliser six vis Allen (F1) et des écrous à embase de 5/16" (F2) - voir l'illustration. Ne pas serrer complètement.
 6. Insérer le bas de l'armoire (P3), côté lisse à l'intérieur de l'armoire, entre les rives des panneaux latéraux (P1).

REMARQUES :

- Vérifier que les rives sont bien face aux trous de façon à ce que la plaque d'identification Gladiator® soit à l'avant et que l'accès au raccordement électrique soit à l'arrière de l'armoire.
- Pour accéder à l'ouverture, retirer la partie centrale de l'oeillet de plastique, insérer les câbles électriques et remettre la partie centrale en place.

7. Aligner les trous; connecter le panneau du bas (P3) avec les panneaux latéraux (P1) - utiliser six vis Allen (F1) et des écrous à embase de 5/16" (F2) pour chaque côté - voir l'illustration. Ne pas serrer complètement.



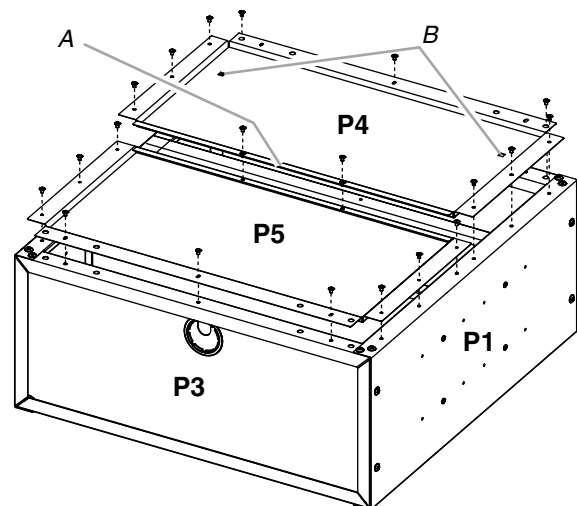
Fixation des panneaux arrière



F3b

F3b Vis Phillips (20)

1. Utiliser neuf vis Phillips (F3b) pour fixer le panneau arrière inférieur (P5) sur le panneau du bas (P3) et les panneaux latéraux (P1) - voir l'illustration. Ne pas complètement serrer les vis.
2. Aligner le panneau arrière supérieur (P4) avec les trous du panneau du sommet (P2). Utiliser neuf vis Phillips (F3b) pour fixer le panneau arrière supérieur sur le panneau du sommet (P-2) et les panneaux latéraux (P-1) - voir l'illustration. Ne pas complètement serrer les vis.
REMARQUE : Le panneau arrière supérieur sera légèrement en chevauchement sur le panneau arrière inférieur.
3. Utiliser deux vis Phillips (F3b) pour fixer le panneau arrière supérieur (P4) sur le panneau arrière inférieur (P5) - voir l'illustration.



A. Chevauchement du panneau supérieur sur le panneau inférieur
B. Trous pour la pose de la tringle d'accrochage

- Serrer complètement toutes les vis du panneau arrière - commencer sur les côtés et poursuivre avec le sommet et le bas.
- Utiliser la clé Allen (fournie) pour serrer complètement tous les boulons et écrous de l'armoire.

Installation des étagères



F3b

F3b Vis Phillips (8)

F4 Petit écrou à embase (8)



F4



F5

F5 Piton de retenue de la porte (1)

F6 Écrou-frein (1)



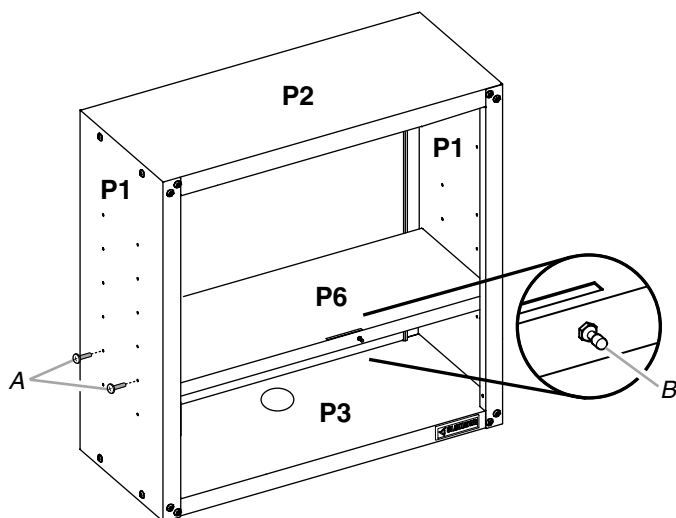
F6

IMPORTANT : Installer l'étagère inférieure - utiliser la seconde série de trous depuis le bas - pour qu'il soit possible de fermer et de verrouiller les portes. Il sera possible d'installer d'autres étagères plus tard.

- Aligner les trous des extrémités de l'étagère inférieure (P6) avec les trous des côtés de l'armoire (P1) (seconde rangée depuis le bas).

REMARQUE : Veiller à ce que le trou au centre de la rive de l'étagère soit orienté vers l'extérieur.

- Utiliser deux vis Phillips (F3b) et deux petits écrous à embase (F4) sur chaque côté pour assujettir l'étagère (P6) sur les panneaux latéraux (P1).
- Insérer le piton de retenue de porte (F5) dans le trou de la rive avant de l'étagère inférieure; fixer le piton avec l'écrou-frein (F6) - voir l'illustration.



A. Seconde rangée de trous depuis le bas

B. Piton de retenue de porte et écrou-frein

- Choisir la position d'installation de l'étagère supérieure (P6); aligner les trous des extrémités de l'étagère avec les trous des panneaux latéraux de l'armoire.

REMARQUE : Veiller à ce que le trou au centre de la rive de l'étagère soit orienté vers le panneau arrière.

- Utiliser deux vis Phillips (F3b) et deux petits écrous à embase (F4) sur chaque côté pour assujettir l'étagère sur les panneaux latéraux (P1).
- Serrer complètement les vis.

Installation des portes



F3b

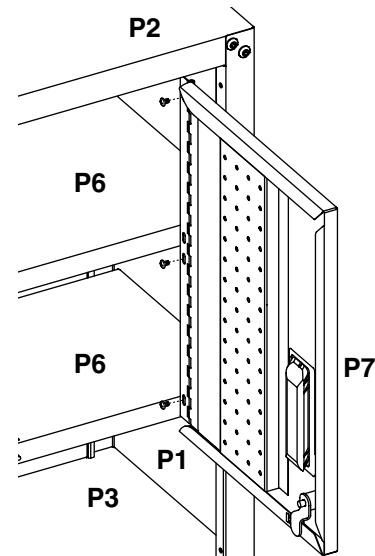
F3b Vis Phillips (6)

IMPORTANT : La porte avec loquet doit être installée sur le côté droit de l'armoire.

- Aligner les trois trous de la charnière de la porte de droite (P7) avec les trois trous de la rive du panneau latéral de droite.

REMARQUE : Il y a deux trous au milieu de la charnière de porte. Aligner d'abord les trous du sommet et du bas. Un seul des trous intermédiaires s'alignera.

- Fixer la porte (P7) sur le panneau latéral (P1) - utiliser trois vis Phillips (F3b); commencer avec le trou central (voir l'illustration). Ne pas serrer complètement.



- Répéter les étapes 1 et 2 pour installer la porte de gauche (P8).
- Aligner les portes, et serrer complètement les vis.

INSTRUCTIONS D'INSTALLATION

⚠ AVERTISSEMENT

Risque du poids excessif

Utiliser deux ou plus de personnes pour déplacer, assembler, ou installer l'armoire.

Le non-respect de cette instruction peut causer une blessure au dos ou d'autre blessure.

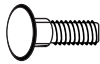
IMPORTANT : Décider si l'armoire sera installée sur les panneaux Gladiator® GearWall® ou les profilés GearTrack™, ou sur un mur standard.

Installation de l'armoire sur des panneaux GearWall® ou des profilés GearTrack™

IMPORTANT :

- Vérifier que lors de l'installation des panneaux GearWall® ou des profilés GearTrack™, une vis de montage a été placée dans chaque rainure au niveau de chaque poteau du colombage, avec intervalle horizontal maximum de 24" (60,96 cm) entre les vis.
- Si on installe l'armoire sur un profilé GearTrack™, un second profilé devrait être installé à 18" au-dessous de la partie inférieure du profilé porteur. L'armoire suspendue sera alors d'aplomb.

Installation de la tringle d'accrochage



F7



F8



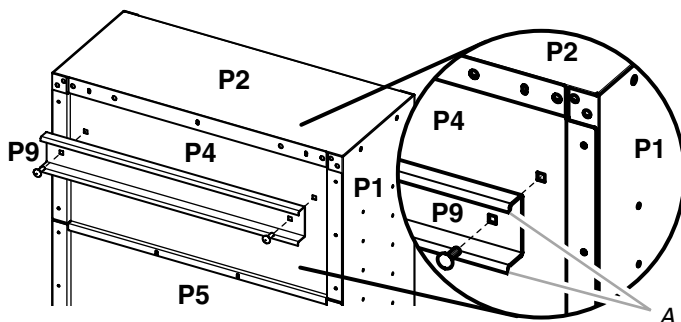
F2

F7 Vis à collet carré (2)

F2 Écrou à embase 5/16" (2)

F8 Rondelle (2)

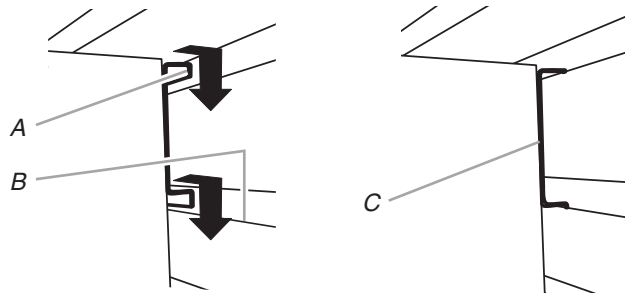
1. Alors que les rives de la tringle d'accrochage (P9) sont orientées vers le bas, aligner les deux trous de la tringle avec les deux trous du panneau arrière supérieur (P4).
2. En partant de l'arrière, insérer un boulon (F7) à travers la tringle et le haut du panneau arrière (P4).
3. En partant de l'intérieur, fixer chaque boulon avec une rondelle (F8) et un écrou à embase (F2). Bien serrer chaque boulon.
4. Fermer les portes de l'armoire.



A. Rives de la tringle orientées vers le bas

Montage sur des panneaux GearWall® ou profilés GearTrack™

1. Choisir l'emplacement d'installation de l'armoire sur les panneaux GearWall® ou les profilés GearTrack™.
2. À deux personnes ou plus, engager la tringle d'accrochage dans la rainure du mur : soulever l'armoire, pousser vers le mur et abaisser les rives de la tringle dans les rainures.
3. Inspecter l'armoire par les côtés - vérifier que la tringle d'accrochage mural est parfaitement engagée dans les rainures - voir l'illustration.



A. Rive de la tringle

B. Fente

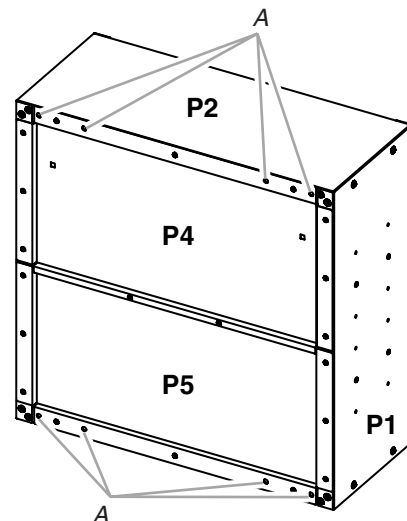
C. Tringle d'accrochage parfaitement engagée

Montage mural standard

Outillage et pièces nécessaires : Clé de 1/2", vis d'ancrage de 5/16" x 1 1/2" (4), rondelles plates de 5/16" (4)

IMPORTANT : L'espacement des trous ronds dans les panneaux arrière, supérieur et inférieur de l'armoire permet le montage de l'armoire sur les poteaux du colombage mural du garage.

1. Identifier la position des poteaux de colombage de bois du mur du garage. Aligner deux trous du sommet et deux trous du bas avec chaque poteau du colombage; marquer la position des trous.
2. Tandis que deux personnes ou plus maintiennent l'armoire en appui contre le mur, placer les vis d'ancrage de 5/16" x 1 1/2" avec une rondelle plate de 5/16" pour fixer l'armoire sur le mur (les vis et rondelles ne sont pas fournies).
3. Avec une clé de 1/2", serrer complètement les vis.



A. Trous pour montage mural standard

GARANTIE DE L'ARMOIRE À OUTILS MURALE EN ACIER GLADIATOR™ GARAGEWORKS

GARANTIE LIMITÉE DE DIX ANS

Pendant dix ans à compter de la date d'achat, lorsque l'armoire à outils murale en acier est utilisée et entretenue conformément aux instructions jointes à ou fournies avec le produit, Gladiator® GarageWorks paiera pour la réparation ou le remplacement du produit ou des pièces défectueuses pour corriger les vices de matériaux ou de fabrication.

Gladiator® GarageWorks ne paiera pas pour :

1. Les appels de service pour rectifier l'installation de tout produit Gladiator® GarageWorks ou pour expliquer comment l'utiliser ou l'installer.
2. Les dommages causés par une manipulation ou une expédition des produits incorrecte, ou les produits endommagés par accident, mésusage, abus, incendie, inondation, installation incorrecte, actes de Dieu, négligence, corrosion, modification ou mauvaise manipulation.
3. Les frais d'expédition ou de transport pour livrer des produits de rechange ou retourner des produits défectueux.
4. Les réparations ou remplacements lorsque le produit est utilisé autrement que dans une utilisation normale, unifamiliale, comme dans un environnement commercial, ou manipulé d'une façon non conforme aux instructions d'installation fournies avec le produit.
5. Les défauts d'apparence - éraflures, traces de choc ou fissures - n'affectant pas la fonctionnalité ou la résistance structurale du produit.
6. Les pièces ou le produit de rechange pour les produits Gladiator® GarageWorks qui sont utilisés en dehors des États-Unis ou du Canada.
7. Au Canada, les frais de déplacement ou de transport pour les clients qui habitent dans des régions éloignées.
8. Tous les frais de main-d'œuvre encourus au cours de la période de garantie limitée.
9. Les dommages causés par un chargement incorrect au-delà de la capacité de poids maximum spécifiée dans les instructions d'assemblage fournies avec le produit, y compris la surcharge de crochets, paniers, étagères, armoires et autres accessoires Gladiator® GarageWorks utilisés avec le produit.
10. Les dommages causés par l'utilisation de crochets, étagères, paniers et autres accessoires non distribués ou approuvés par Gladiator® GarageWorks.
11. Les surfaces endommagées par une interaction chimique causée par la corrosion de la peinture ou du métal.
12. Les clés ou mécanisme de verrouillage de rechange.
13. La perte du contenu du produit due à vol, incendie, inondation, accident ou actes de Dieu.

CLAUSE D'EXONÉRATION DE RESPONSABILITÉ AU TITRE DES GARANTIES IMPLICITES; LIMITATION DES RECOURS

LES GARANTIES IMPLICITES, Y COMPRIS LES GARANTIES PROLONGÉES APPLICABLES DE QUALITÉ MARCHANDE ET D'APTITUDE À UN USAGE PARTICULIER, SONT EXCLUES DE LA PRÉSENTE GARANTIE, ET CE DANS LES LIMITES AUTORISÉES PAR LA LOI. TOUTE GARANTIE IMPLICITE POUVANT ÊTRE IMPOSÉE PAR LA LOI EST LIMITÉE À UN AN, OU À LA PLUS COURTE PÉRIODE AUTORISÉE PAR LA LOI. CERTAINES JURIDICTIONS NE PERMETTENT PAS LA LIMITATION DE LA DURÉE DE VALIDITÉ DES GARANTIES IMPLICITES DE QUALITÉ MARCHANDE OU D'APTITUDE À UN USAGE PARTICULIER; PAR CONSÉQUENT LES LIMITATIONS OU EXCLUSIONS STIPULÉES DANS LES PRÉSENTES PEUVENT NE PAS VOUS ÊTRE APPLICABLES. CETTE GARANTIE VOUS CONFÈRE DES DROITS JURIDIQUES SPÉCIFIQUES ET VOUS POUVEZ ÉGALEMENT JOUIR D'AUTRES DROITS QUI PEUVENT VARIER D'UN ÉTAT À L'AUTRE OU D'UNE PROVINCE À L'AUTRE.

À l'extérieur du Canada et des 50 États des États-Unis, cette garantie ne s'applique pas. Contacter votre marchand Gladiator™ GarageWorks autorisé pour déterminer si une autre garantie s'applique.

Si vous avez besoin de service, appelez le Centre pour l'eXpérience de la clientèle de Gladiator® GarageWorks au **1-866-342-4089** (sans frais), de n'importe où aux E.-U. Au Canada, contactez votre compagnie de service désignée par Whirlpool Canada LP ou composez le **1-800-807-6777**.

Aux États-Unis, Gladiator® GarageWorks correspond à Whirlpool Corporation, Benton Harbor, Michigan 49022. Au Canada, Gladiator® GarageWorks correspond à Whirlpool Canada LP, Mississauga, ON L5N 3A7. 11/05

Conservez ce manuel et votre reçu de vente ensemble pour référence ultérieure. Pour le service sous garantie, vous devez présenter un document prouvant la date d'achat ou d'installation.

Inscrivez les renseignements suivants à propos de l'armoire à outils murale pour mieux obtenir assistance ou service en cas de besoin. Vous devrez connaître le numéro de modèle et le numéro de série au complet. Vous trouverez ces renseignements sur la plaque signalétique située à l'intérieur du produit.

Nom du marchand _____

Adresse _____

Numéro de téléphone _____

Numéro de modèle _____

Numéro de série _____

Date d'achat _____

2254085A

© 2006 Whirlpool Corporation.

All rights reserved.

Todos los derechos reservados.

Tous droits réservés.

® Registered Trademark/TM Trademark of Whirlpool, U.S.A., Whirlpool Canada LP Licensee in Canada

® Marca registrada/TM Marca de comercio de Whirlpool, U.S.A., usada bajo licencia de Whirlpool Canada LP en Canadá

® Marque déposée/TM Marque de commerce de Whirlpool, U.S.A., emploi licencié par Whirlpool Canada LP au Canada

Printed in China

Impreso en China

Imprimé en Chine

5/06